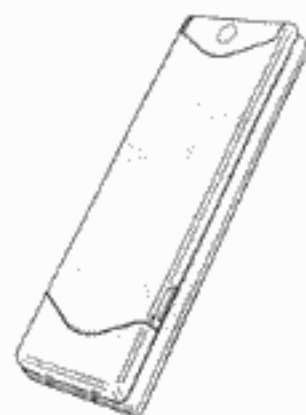


MDTK

DIGITAL KEYPAD TRANSMITTER

MEGACODE FORMAT



Installation Instructions

Linear[®]
(800) 421-1587

DESCRIPTION

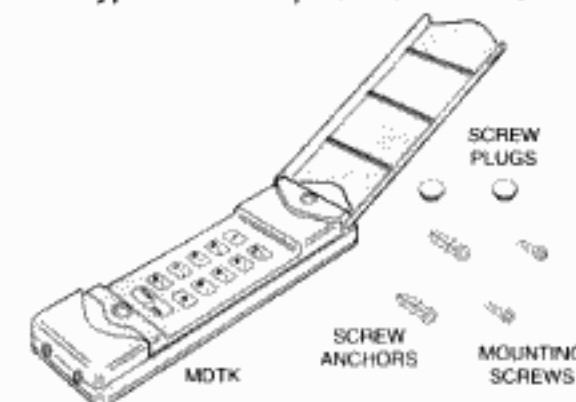
The MDTK Digital Keypad is one of Linear's MegaCode series of wireless radio controls designed for use with automatic garage door and gate operators. The MegaCode radio format provides unparalleled security with more than a million different codes.

In operation, the user enters their unique code on the unit's keypad (1 to 6 digits long) and presses the START/STOP button to activate the door operator. For up to 30 seconds after the last activation, the MDTK can be re-triggered by simply pressing the START/STOP button again. This allows the user to stop or reverse the opener quickly, without having to re-enter their code.

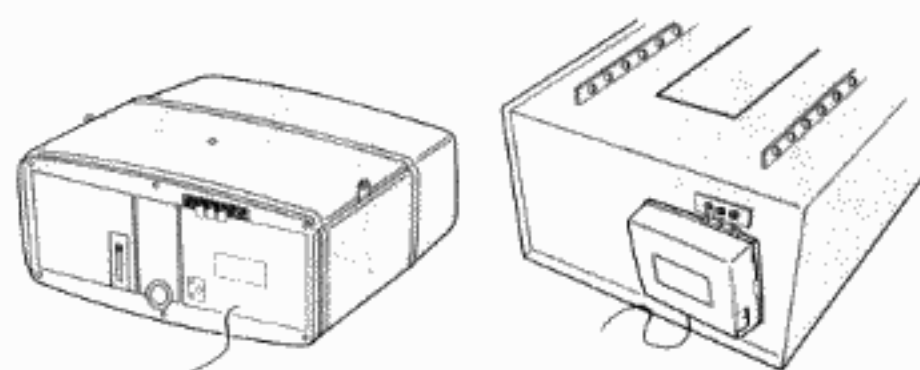
The MDTK has built-in keypad lighting for use at night or in dark areas. By pressing the START/STOP button first (or twice), before entering their code, the user can light up the keypad. The clear silicone keys are backlit with a pleasing green glow.

The keypad lockout timer will disable the keypad after 10 activations. The keypad must remain idle for 30 seconds before new attempts.

MegaCode receivers are programmed by sending a signal from the user's transmitters. This stores the transmitter's code into the receiver's memory. The receiver will retain its memory even without power and will only activate from these "memorized" transmitters. Each MDTK keypad code can be considered a different transmitter. Each MegaCode receiver can remember a maximum of 10 transmitters (40 for gate receivers). Any combination of portable transmitters and keypad codes up to the maximum number can be entered.

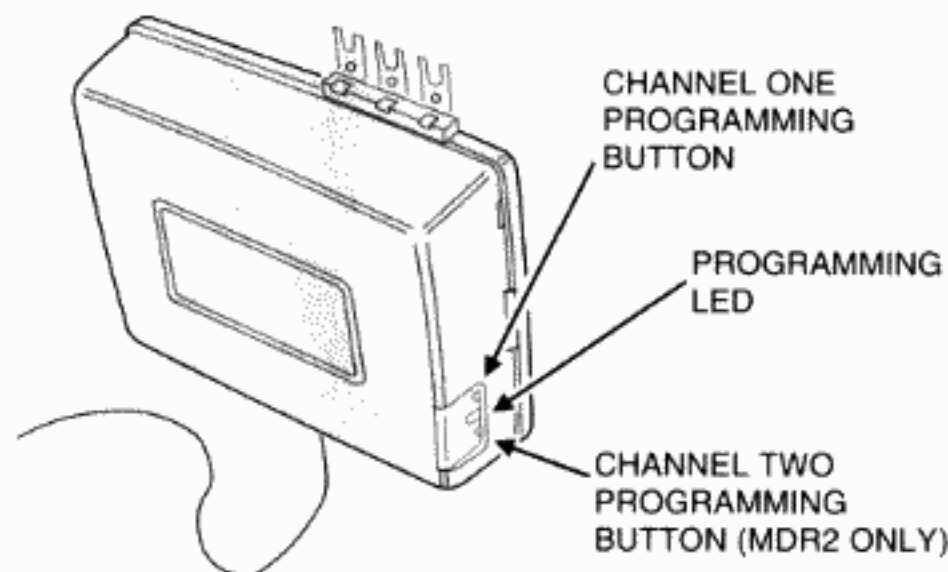


STEP 1 Verify Receiver Installation. Be sure the receiver is connected to the garage door operator as described in the receiver's Installation Instructions. Apply power to the operator before programming.

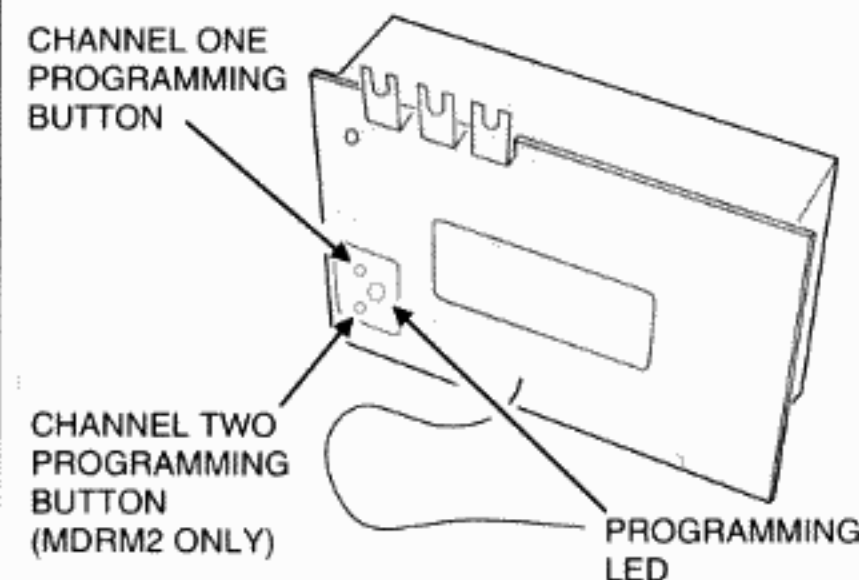


CONNECT RECEIVER TO GARAGE DOOR OPERATOR

STEP 2A MDR/MDRNR/MDR2 Program button and LED Location. Locate the program button and LED on the side of the receiver case.



STEP 2B MDRM/MDRM2 Program button and LED Location. Locate the program button and LED on the back of the receiver case.

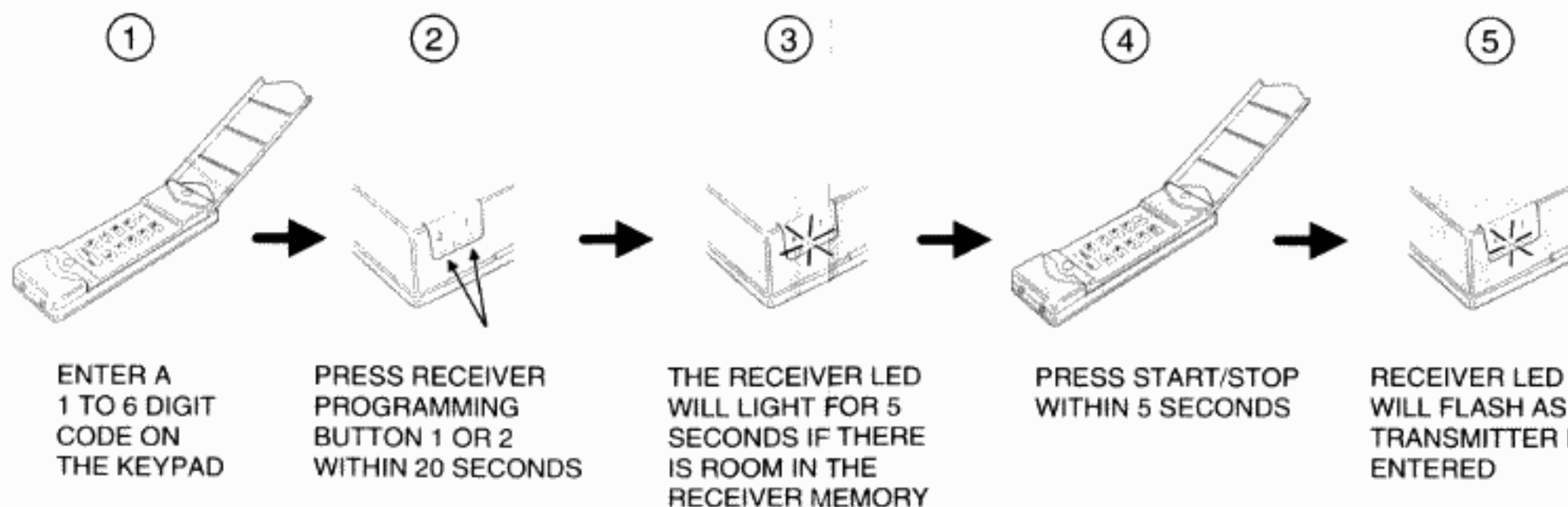


STEP 3 Program receiver. Enter a code (1-6 digits) on the keypad and momentarily press the receiver's program button (channel one or two). The red programming LED will light if there's room in the receiver's memory for another transmitter or keypad code. Press the START/STOP button to program the receiver. **A transmitter must be entered while the receiver LED is on.** The LED stays on for about 5 seconds. The LED will flicker when the receiver has accepted the transmitter.

➤ **NOTE:** Be sure to press the receiver program button for less than 2 seconds.

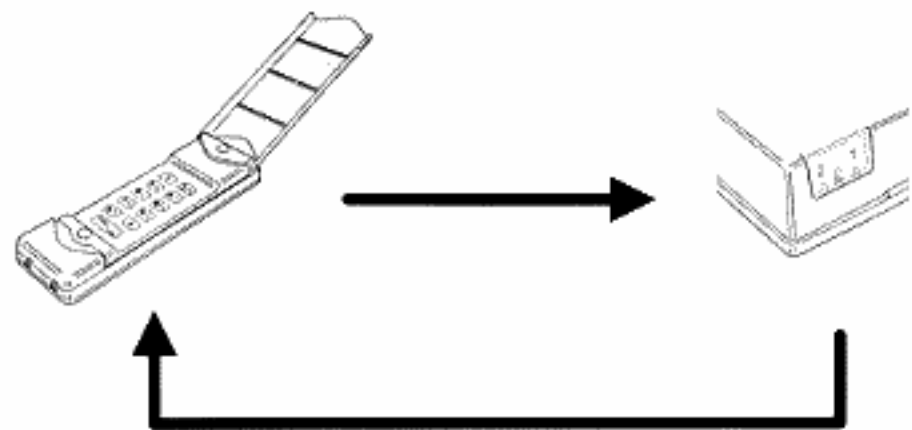
➤ **WARNING!** Door operator will not activate when the receiver is being programmed from the transmitter, but the door operator will activate the next time the transmitter is activated after programming.

➤ **NOTE:** The programming LED also monitors radio signals entering the receiver. It is common to see an occasional blink from the LED. The LED will also light when any transmitter tuned to the receiver's frequency (programmed into the receiver or not) is activated.



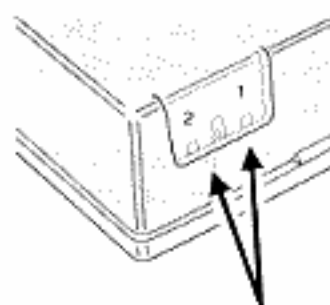
STEP 4 Add additional keypad codes. Repeat Step 3 for each keypad code required. Be sure to press the receiver's program button **each time a new code is entered.**

If the LED doesn't come on when the receiver's program button is pressed, the receiver's memory is full. If required, use the erase function (see INFO 2) to remove transmitters from the receiver's memory.

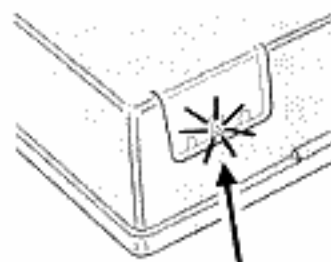


STEP 5 Review memory. Press and hold the receiver's program button (channel one or two) until the LED begins to flash (about 3 seconds) and then release the button. Count the number of flashes. The number of flashes equals the number of transmitters and keypad codes programmed into that channel of the receiver.

➔ **NOTE: Don't hold down the programming button longer than 5 seconds, the receiver's memory for that channel will be erased.**

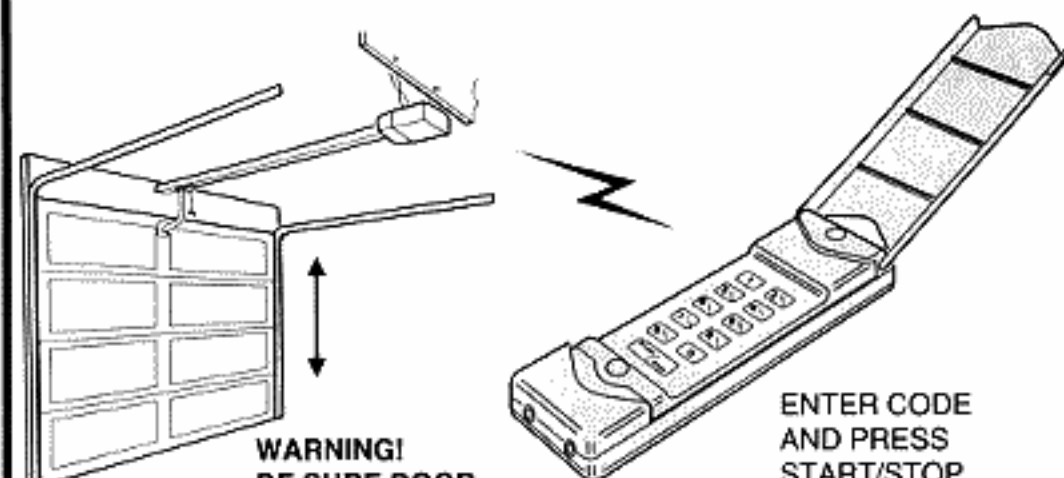


PRESS PROGRAM BUTTON (CHANNEL 1 OR 2) FOR THREE SECONDS THEN RELEASE



LED WILL FLASH, COUNTING THE TOTAL NUMBER OF TRANSMITTERS PROGRAMED TO THAT CHANNEL

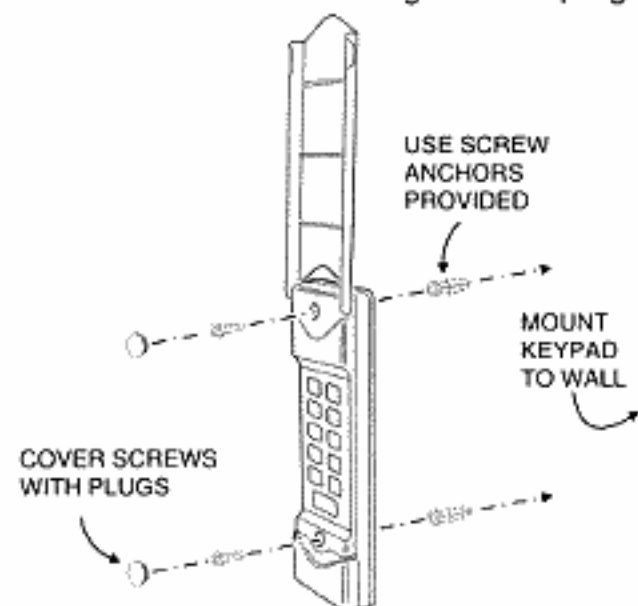
STEP 6 Test receiver. Be sure door area is clear. Try each keypad code. The operator should activate when the START/STOP button is pressed after entering a valid keypad code.



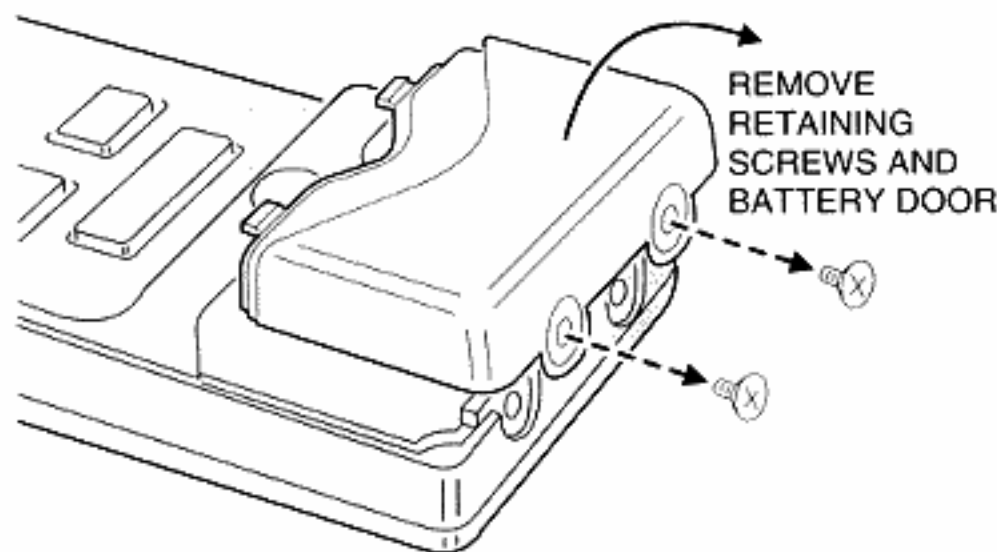
WARNING! BE SURE DOOR AREA IS CLEAR OF OBSTRUCTIONS

ENTER CODE AND PRESS START/STOP

STEP 7 Mount keypad. Use the two screws and screw anchors provided to mount the keypad to the wall. Be sure the keypad is at least five feet above the ground. After mounting the keypad, cover the screw heads using the two plugs supplied.

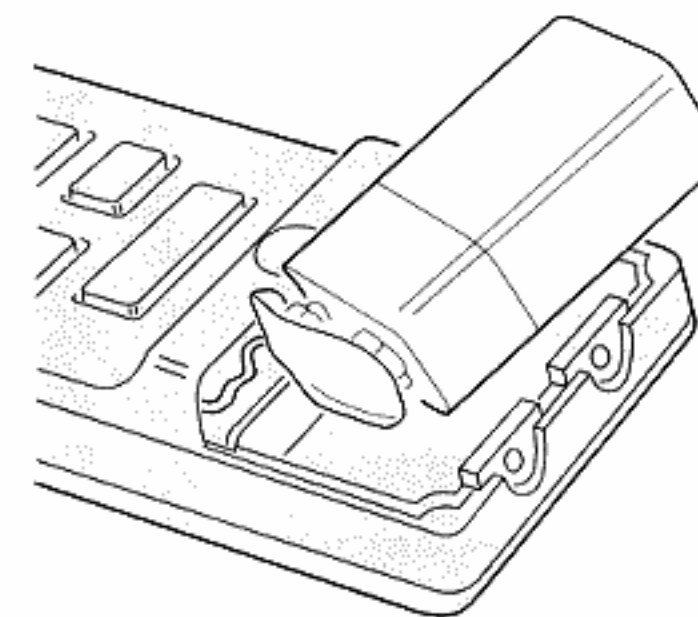


INFO 1A Opening battery compartment. The MDTK battery should last up to 5 years with normal use. To remove the battery door to replace the battery, remove the battery door retaining screws and slide the battery door off.



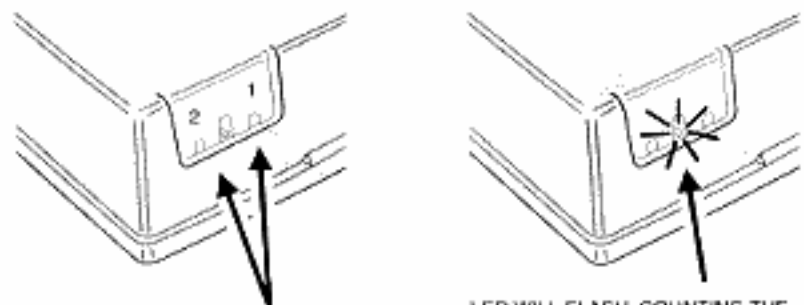
REMOVE RETAINING SCREWS AND BATTERY DOOR

INFO 1B Replacing battery. Remove the low battery and replace it with a fresh 9-volt alkaline or lithium battery. Replace the battery door and retaining screws.



REPLACE WITH 9-VOLT ALKALINE OR LITHIUM BATTERY ONLY

INFO 2 Erasing receiver memory. Transmitters may be erased from the receiver's memory by pressing and holding the receiver's program button (channel one or two) for 5 seconds or more. After the LED blinks (count of transmitters and keypad codes programmed) it will blink one more time for channel one and twice for channel 2 as the receiver's memory for that channel is erased. **All transmitters for each receiver channel are erased at the same time.**



PRESS PROGRAM BUTTON (CHANNEL 1 OR 2) FOR FIVE SECONDS THEN RELEASE

LED WILL FLASH, COUNTING THE TOTAL NUMBER OF TRANSMITTERS PROGRAMED TO THAT CHANNEL, THEN IT WILL BLINK ONE MORE TIME AS THE TRANSMITTERS ARE ERASED FROM THAT CHANNEL

INFO 3 Operation keystrokes. See the illustration for examples of daytime and nighttime operation.

DAYTIME OPERATION

PRESS: 1 → 2^h → 3^o → START/STOP

USER'S SECRET CODE

NIGHTTIME OPERATION

PRESS: START/STOP → 1 → 2^h → 3^o → START/STOP

LIGHTS KEYPAD USER'S SECRET CODE

PRESS: START/STOP → START/STOP → LIGHTS KEYPAD

LIMITED WARRANTY

This product is warranted to the consumer against defects in material and workmanship for one year from the date of purchase. This warranty applies to first retail buyers of new devices. Warrantor will repair, or at its option, replace, any device it finds that requires service under this warranty, and will return the repaired or replaced device to the consumer at the warrantor's cost. For warranty service and shipping instructions contact warrantor at the address shown below. Devices must be sent to warrantor for service at owner's expense. The remedies provided by this warranty are exclusive. Implied warranties under state law are to the one year period of this written warranty. Some states do not allow limitations on how long an implied warranty lasts, so the above limitation may not apply to you. In order to be protected by this warranty, save your proof of purchase and send copy with equipment should repair be required. This warranty gives you specific legal rights, and you may also have other rights which vary from state to state.

All products returned for warranty service require a Return Product Authorization Number (RPA#). Contact Linear Technical Services at 1-800-421-1587 for an RPA# and other important details.

IMPORTANT !!!

Linear radio controls provide a reliable communications link and fill an important need in portable wireless signaling. However, there are some limitations which must be observed.

- * For U.S. installations only: The radios are required to comply with FCC Rules and Regulations as Part 15 devices. As such, they have limited transmitter power and therefore limited range.
- * A receiver cannot respond to more than one transmitted signal at a time and may be blocked by radio signals that occur on or near their operating frequencies, regardless of code settings.
- * Changes or modifications to the device may void FCC compliance.
- * Infrequently used radio links should be tested regularly to protect against undetected interference or fault.
- * A general knowledge of radio and its vagaries should be gained prior to acting as a wholesale distributor or dealer, and these facts should be communicated to the ultimate users.